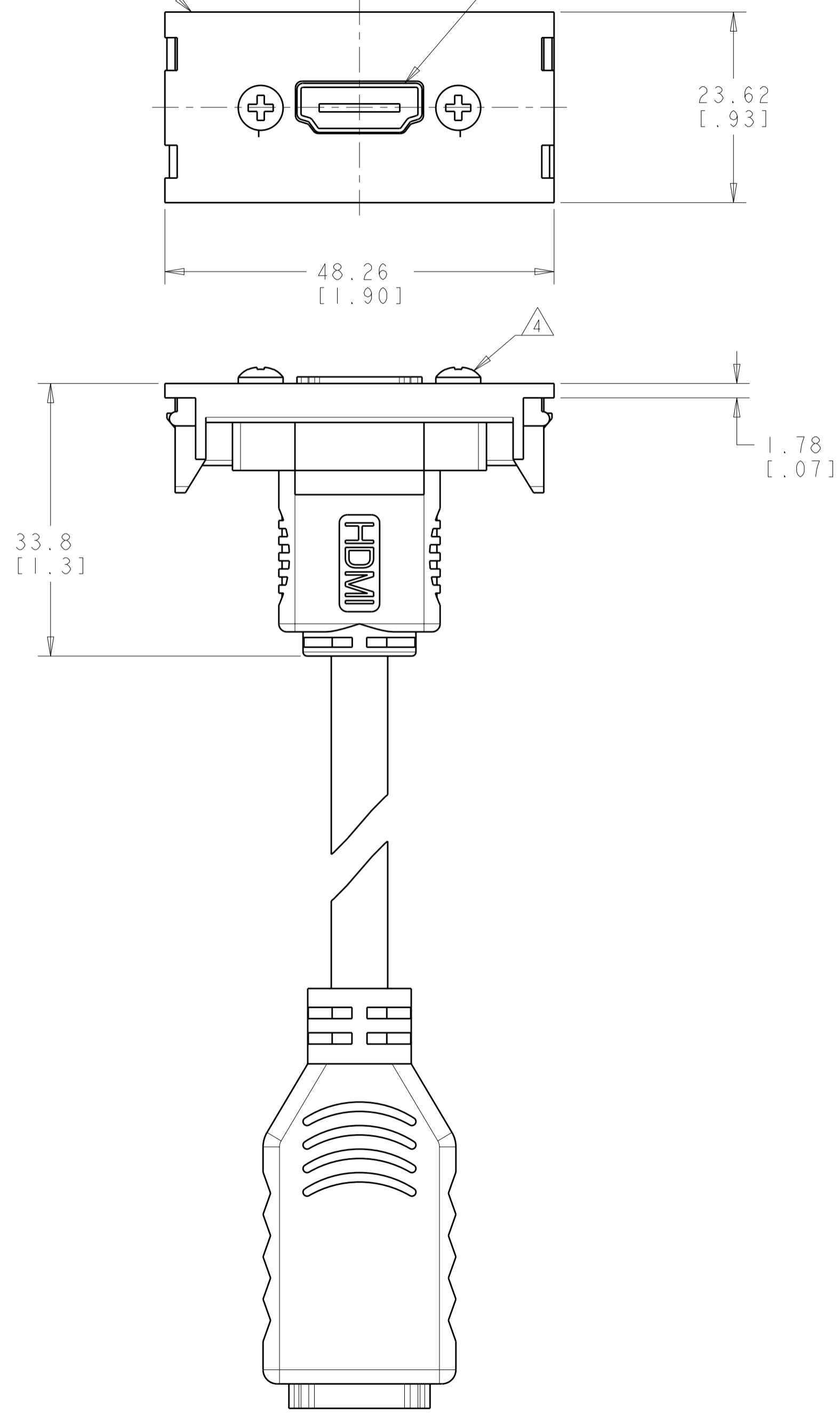


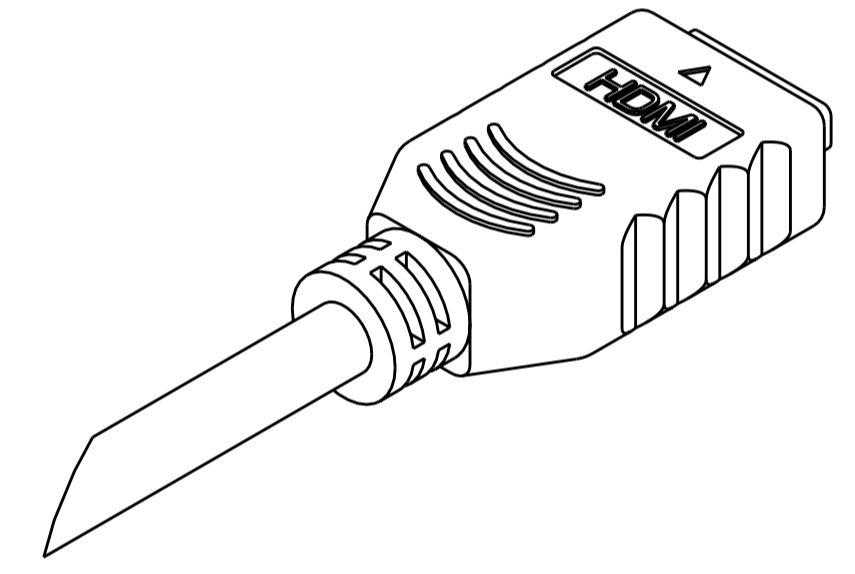
THIS DRAWING IS UNPUBLISHED. RELEASED FOR PUBLICATION 20
 © COPYRIGHT 20 BY TYCO ELECTRONICS CORPORATION. ALL RIGHTS RESERVED.

LOC	DIST	REVISIONS			
P	LTR	DESCRIPTION	DATE	DWN	APVD
	A	NSD08-061	09JUL2008	GG	SA

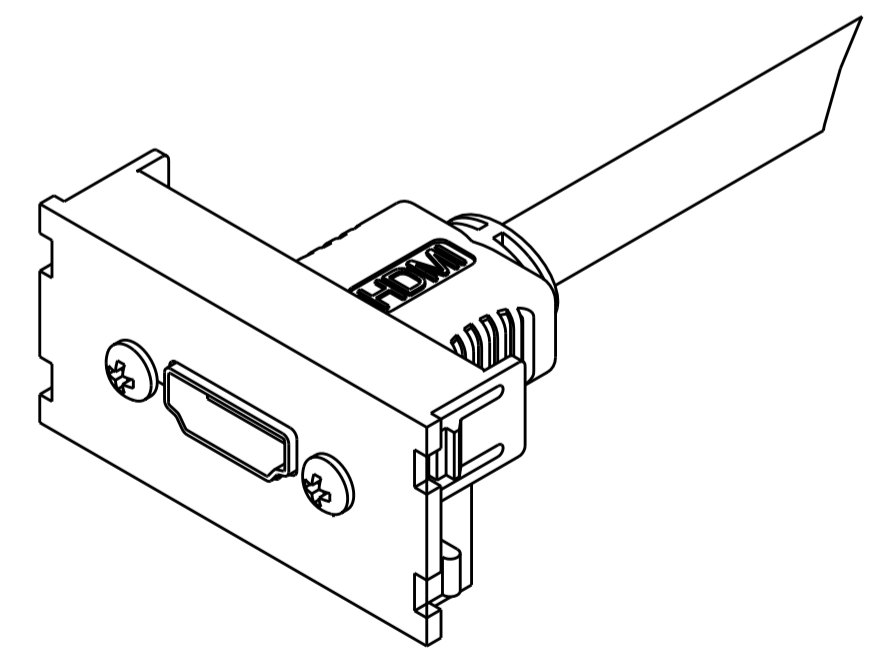
1 UNIT SL SERIES MODULE
 HDMI RECEPTACLE



- 1. DIMENSIONS ARE NOMINAL UNLESS OTHERWISE SPECIFIED.
- 2. DIMENSIONS IN BRACKETS [] ARE IN INCHES.
- 3. ASSEMBLY TO BE PACKAGED IN INDIVIDUAL POLYBAG.
- 4. ROUND HEAD SCREWS, QUANTITY 2.



SCALE 3:2



ELECTRIC IVORY	1-1933800-1
NEMA GRAY	1933800-4
WHITE	1933800-3
BLACK	1933800-2
LIGHT ALMOND	1933800-1
MODULE COLOR	PART NUMBER

THIS DRAWING IS A CONTROLLED DOCUMENT FOR TYCO ELECTRONICS CORPORATION IT IS SUBJECT TO CHANGE AND THE CONTROLLING ENGINEERING ORGANIZATION SHOULD BE CONTACTED FOR THE LATEST REVISION.		DWN 09 JULY 2008 G. GARRETT CHK 09 JULY 2008 S. ALLGOOD APVD 09 JULY 2008 S. ALLGOOD	Tyco Electronics Harrisburg, PA 17105-3608
DIMENSIONS: MM [INCHES]	TOLERANCES UNLESS OTHERWISE SPECIFIED:	PRODUCT SPEC APPLICATION SPEC WEIGHT	NAME MODULE ASSEMBLY, HDMI CABLE 1 UNIT, SL SERIES
MATERIAL	FINISH	CUSTOMER DRAWING	SIZE CAGE CODE DRAWING NO RESTRICTED TO A200779 C-1933800
		SCALE 2:1	SHEET 1 OF 1 REV A